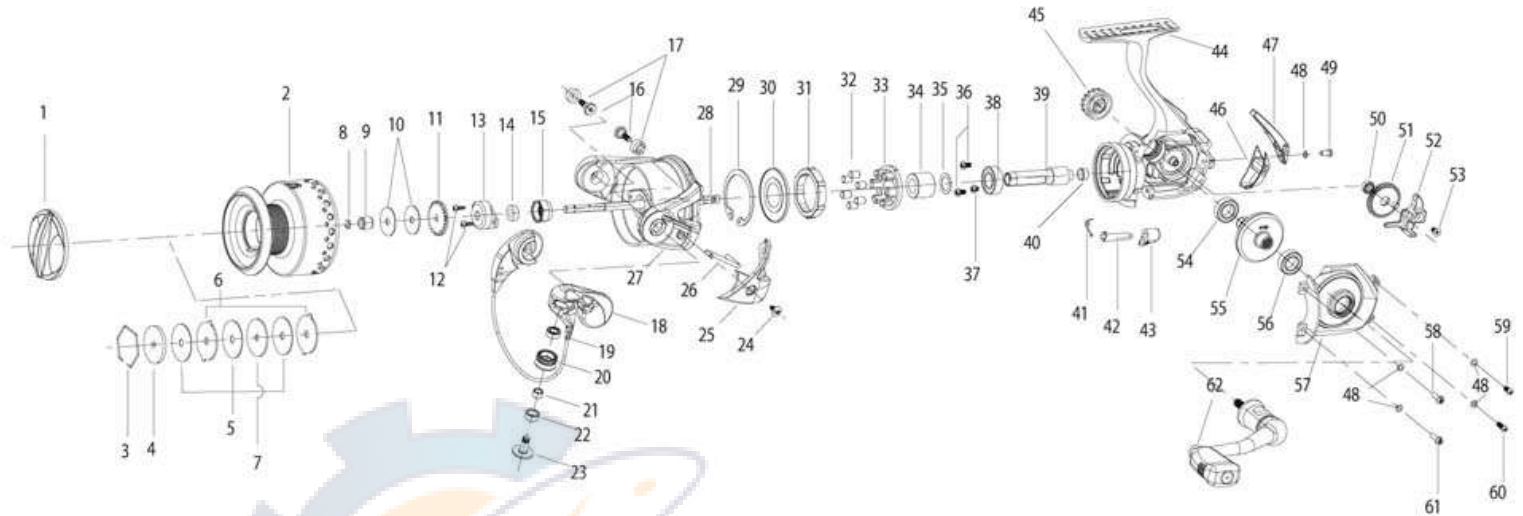


Catalyst PTi-A Parts Diagram - CT30PTi-A / CT40PTi-A



| KEY # | DESCRIPTION | Catalyst 30 | Catalyst 40 |
|-------|-----------------------|-------------|-------------|
| 1 | Drag Knob Assembly | TK332-03 | TK332-03 |
| 2 | Spool | TK021-01 | TK021-51 |
| 3 | Drag Retainer | RQ038-01 | RQ038-01 |
| 4 | Drag Washer "D" | SQ080-01 | SQ080-01 |
| 5 | Drag Washer "B" | RQ033-01 | RQ033-01 |
| 6 | Drag Washer "A" | RQ081-01 | RQ081-01 |
| 7 | Drag Washer "C" | RQ080-01 | RQ080-01 |
| 8 | Retainer Clip | TK034-01 | TK034-01 |
| 9 | Spool Sleeve | TK121-01 | TK121-01 |
| 9A | Spool Bearing | N/A | N/A |
| 10 | Spool Adjust Washer | RK030-01 | RK030-01 |
| 11 | Click Gear | RQ037-01 | RQ037-01 |
| 12 | Rotor Nut Lock Screw | RQ094-01 | RQ094-01 |
| 13 | Rotor Nut Cover | TK214-01 | TK214-01 |
| 14 | Main Shaft Bushing | TK213-01 | TK213-01 |
| 15 | Rotor Nut | TK006-01 | TK006-01 |
| 16 | Bail Pivot Screw | TK111-01 | TK111-01 |
| 17 | Bail Pivot Bushing | TK109-01 | TK109-01 |
| 17A | Bail Pivot Insert | N/A | N/A |
| 18 | Bail Assembly | SK347-01 | SK347-01 |
| 19 | Line Roller Bearing | GH202-01 | GH202-01 |
| 20 | Line Roller | TK004-01 | TK004-01 |
| 21 | Line Roller Sleeve | TK114-01 | TK114-01 |
| 22 | Line Roller Bushing | TK104-01 | TK104-01 |
| 23 | Line Roller Screw | TK108-01 | TK108-01 |
| 24 | Arm Lever Cover Screw | GU077-01 | GU077-01 |
| 25 | Arm Lever Cover | TK087-02 | TK087-02 |
| 26 | Kick Lever | TK019-01 | TK019-01 |
| 27 | Rotor Sub-Assembly | TK209-02 | TK209-02 |
| 28 | Main Shaft | RQ015-01 | RQ015-01 |
| 29 | Clutch Retaining Ring | TK060-01 | TK060-01 |
| 30 | Clutch Seal Plate | TK166-01 | TK166-01 |
| 31 | Clutch Lock Ring | TK063-01 | TK063-01 |

| KEY # | DESCRIPTION | Catalyst 30 | Catalyst 40 |
|-------|--------------------------|-------------|-------------|
| 32 | Clutch Roller | TK165-01 | TK165-01 |
| 33 | Clutch Roller Retainer | TK040-01 | TK040-01 |
| 34 | Clutch Sleeve | TK139-01 | TK139-01 |
| 35 | Pinion Washer | AT110-01 | AT110-01 |
| 36 | Pinion Bearing Screw "A" | TK057-01 | TK057-01 |
| 37 | Pinion Bearing Screw "B" | TK057-11 | TK057-11 |
| 38 | Pinion Ball Bearing | UK028-01 | UK028-01 |
| 39 | Pinion Gear | SQ011-01 | SQ011-01 |
| 40 | Pinion Bushing | SQ141-01 | SQ141-01 |
| 41 | Stopper Cam Spring | TK089-01 | TK089-01 |
| 42 | Stopper Cam | TK090-01 | TK090-01 |
| 43 | Stopper Lever | RQ059-01 | RQ059-01 |
| 44 | Body Sub-Assembly | TK201-03 | TK201-53 |
| 45 | Handle Cap | AT073-76 | AT073-76 |
| 46 | Body Rear Cover - Top | TK140-02 | TK140-02 |
| 47 | Body Rear Cover - Bottom | TK140-52 | TK140-52 |
| 48 | Body Cover Screw Washer | RQ142-01 | RQ142-01 |
| 49 | Body Rear Cover Screw | RQ057-11 | RQ057-11 |
| 50 | O/S Gear Ball Bearing | EH158-01 | EH158-01 |
| 51 | O/S Gear | TQ053-51 | TQ053-51 |
| 52 | Oscillation Slider | TK025-01 | TK025-01 |
| 53 | Main Shaft Screw | RQ100-01 | RQ100-01 |
| 54 | Body Ball Bearing | BL157-01 | BL157-01 |
| 55 | Drive Gear Assembly | AT312-51 | AT312-51 |
| 56 | Body Cover Ball Bearing | BL157-01 | BL157-01 |
| 57 | Body Cover Assembly | TK123-03 | TK123-03 |
| 58 | Body Cover Screw "A" | RQ057-04 | RQ057-04 |
| 59 | Body Cover Screw "B" | SK057-11 | SK057-11 |
| 60 | Body Cover Screw "C" | SK057-01 | SK057-01 |
| 61 | Body Cover Screw "D" | RQ057-04 | RQ057-04 |
| 62 | Handle Assembly | TK318-51 | TK318-51 |
| 63 | Trip Ramp | TK119-01 | TK119-01 |